

## THE POWER OF UTILITY

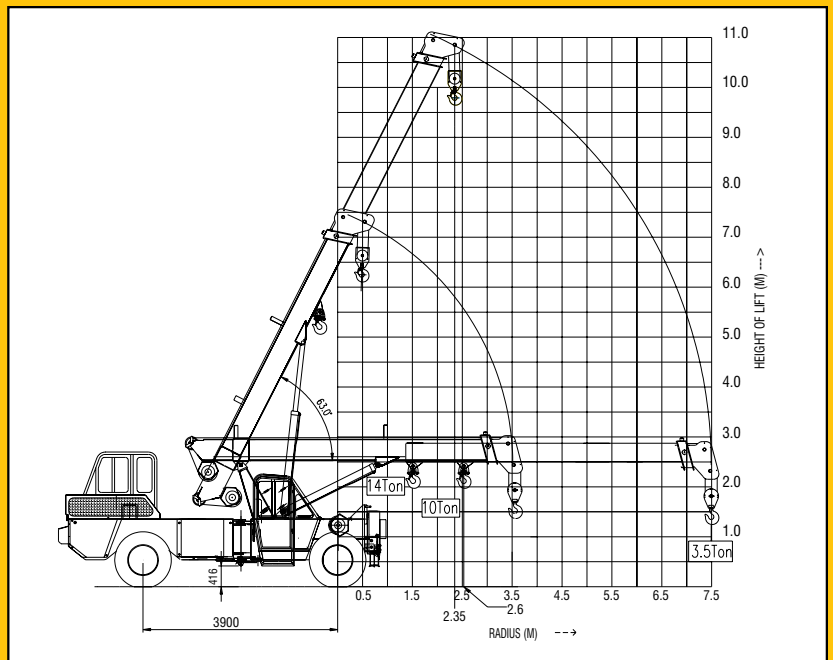
- Lifting • Dragging • Towing



# Pick 'n' Carry Crane MAC-1214

## SALIENT FEATURES :

- Lifting of the wreckage
- Dragging of the wreckage
- Towing of the wreckage
- Two part hydraulically telescopic boom
- Separate winches for lifting & dragging actions to enable lifting & dragging of the wreckage simultaneously.
- Two nos. Outriggers for dragging operation
- Max. Road speed 40 kmph
- Capability to travel long distance on its own power - Heavy duty truck transmission
- Articulated chassis for short turning radius



## Specifications :

Crane Capacity	
14 tonne at	1.50 m radius
10 tonne at	2.60 m radius
5 tonne at	5.60 m radius
Vehicle Performance	
Speed	max 40.1 kmph (unladen)
Drive	
4 wheel drive	
Engine	
Diesel engine: Kirloskar (Turbocharged), developing gross HP 80.96 @ 2500 rpm	
Transmission	
Synchromesh gearbox with auxillary gearbox Speed-4 forward and 1 reverse	
Clutch	
Single plate dry type clutch	
Brakes	
Service Parking	Fully air operated 'S' cam dual circuit brakes on front & rear axles air operated spring actuated fail safe brakes on all wheels
Axles	
Rear	Rigidly mounted
Front	Mounted with two springs
Tyres	8 nos. - 11.00x20 (16 PR)
Hydraulic System	
Main hydraulic pump. Control Valve-multi bank double acting with a built in relief valve. System pressure - 210 bars	
Steering	
Full power orbitrol with twin hydraulic double acting rams 45° articulation on either side	
Boom	
2 part boom hydraulically teleopic extension Max. boom reach - 7.5 m from rear wheel centre Boom angle: (-)5° to (+)63°	

Hosist Winch	
Hydraulically operated with multi-falls, built in hydraulically operated fail safe brakes & grooved drum	
Dragging winch	
Hydraulically operated with multi-falls, built in hydraulically operated fail safe brakes & grooved drum	
Outriggers	
2 nos. outriggers at the rear with option of mechanical/hydraulic type	
Electrical System	
24 V. negative earth Battery rating - 2x12V - 150 AH	
Dimensions	
Overall length	9.65m
Overall width	2.55m
Overall height	3.08m
Wheel Track	
Front	1830 mm
Rear	1830 mm
Wheel Base	3.9 m
Cabin	
All weather ergonomically laid out two cabins (front & rear). adjustable seats. seat belt provided in driver cabin	
Axle Loading	
Front Axle	9980 kg
Rear Axle	6315 kg
Total	16295 kg
Turning Radius	6.95 m
Standard Accessories	
Tow bar	
Two nos. of slings	
Two nos. of chains	

## A wide national network of Business Centres and Dealers

- **Ahmedabad** : (079) 40063445, 9879006280
- **Bangalore** : (080) 23398809, 9448046310
- **Bhopal** : (0755) 2551955, 9826824111
- **Bhubaneswar** : (0674) 2588775, 9937028870
- **Chandigarh** : (0172) 5017995, 9417603041
- **Chennai** : (044) 42153707-D, 9840852996
- **Dehradun** : (0135) 2672647, 9837755999
- **Guwahati** : (0361) 2733246, 9435342785
- **Hyderabad** : (040) 27842451, 9849992003
- **Jaipur** : (0141) 2760904, 9929077866
- **Kanpur** : 9839211591
- **Kolkata** : (033) 24862028-D, 9830108037
- **Lucknow** : (0522) 4003683, 2371901, 9839065688
- **Mumbai** : (022) 24218150, 9821458206
- **Nagpur** : (0712) 6450713, 9822224489
- **New Delhi** : (011) 26444821, 9871598288
- **Pune** : (020) 40089771, 9823068664
- **Ranchi** : (0651) 2531340, 9431108578
- **Visakhapatnam** : (0891) 25632345, 9866637270

## ESCORTS CONSTRUCTION EQUIPMENT LIMITED

Plot No: 2, Sector-13, Faridabad 121 007

Tel.: (0129) 2264639/2261323/2286694, Fax: (0129) 2264639/2261323

Website: www.ecel.com