

HYDRA 14

- ◆ Slotted Boom
- ◆ Rope Compensation
- ◆ Higher Winch Capacity



ENGINE

Simpson S-433 Four Cylinder, Water Cooled Diesel Engine, Rated power for crane 49 BHP @ 2200 RPM (Max continuous engine rating 59 HP @ 2300 RPM) or equivalent Engine

TRANSMISSION

- **Type** Heavy duty transmission developed specially for crane application, Sliding Mesh, spur teeth gearbox. Six forward and two reverse speeds with high and low selector lever.
- **Speed** Travel Speed 25 Km/h - restricted, as per safety norms (without load)
- **Clutch** Single plate, heavy duty dry friction type clutch plate especially designed for crane application.

STEERING

- **Type** Articulated power steering, hydraulically controlled through 2 double acting jacks
- **Articulation** upto 56°
- **Turning Radius** 6.5m

OPERATIONAL TIMINGS (no load at rated engine RPM)

- **Steering (lock to lock)** 6-10 secs
- **Boom Raising** 23-28 secs
- **Boom Lowering** 19-24 secs
- **Telescoping**
 - Extension in 9-11 secs
 - Extension out 14-16 secs
- **Hoist Line Speed** 53m/min max. (Single line)

BRAKES

- **Front Wheel** Pneumatically assisted hydraulic brakes
- **Rear Wheel** Mechanical shoe brakes actuated thru' a slave cylinder
- **Parking** Mechanically actuated at rear wheels

TRACK

- **Front** 1930mm (center of twin wheels)
- **Rear** 1570mm (center of wheels)

TYRES

- **Front** 11.00x20-16PR (Four Nos.), Inflation Pressure 110-115 PSI
- **Rear** 13.00x24-12PR (Two Nos.), Inflation Pressure 35 PSI
Water Ballasted (100 Kg Each Tyre)

BOOM

- **Telescoping** Three part box type hydraulically operated, Rope compensated & synchronised
- **Derricking** Through double acting jacks.

HOIST MECHANISM

- **Hoist** Hydraulic winch.
Six falls (Winch Capacity 12T)
Four Falls (Winch Capacity 10T)
Rope dia 13mm

HYDRAULIC SYSTEM

- **Pump** Vane Type Hydraulic pump.
- **Control Valve** 4 spool control valve with built in pressure relief valve and precision control
- **Hydraulic Filter** Suction line has a 100 mesh inline strainer while return line has 25 micron full flow filter

ELECTRICAL SYSTEM

- **Type** 12V Single battery, Negative earth

CAPACITIES

- **Fuel Tank** 45 Ltrs.
- **Hydraulic Tank** 90 Ltrs.
- **Axle Reduction** 2.45 Ltrs.

OPERATING WEIGHT(KG)

Operating Weight (Kg) 11200 Kg

SAFETY SYSTEM

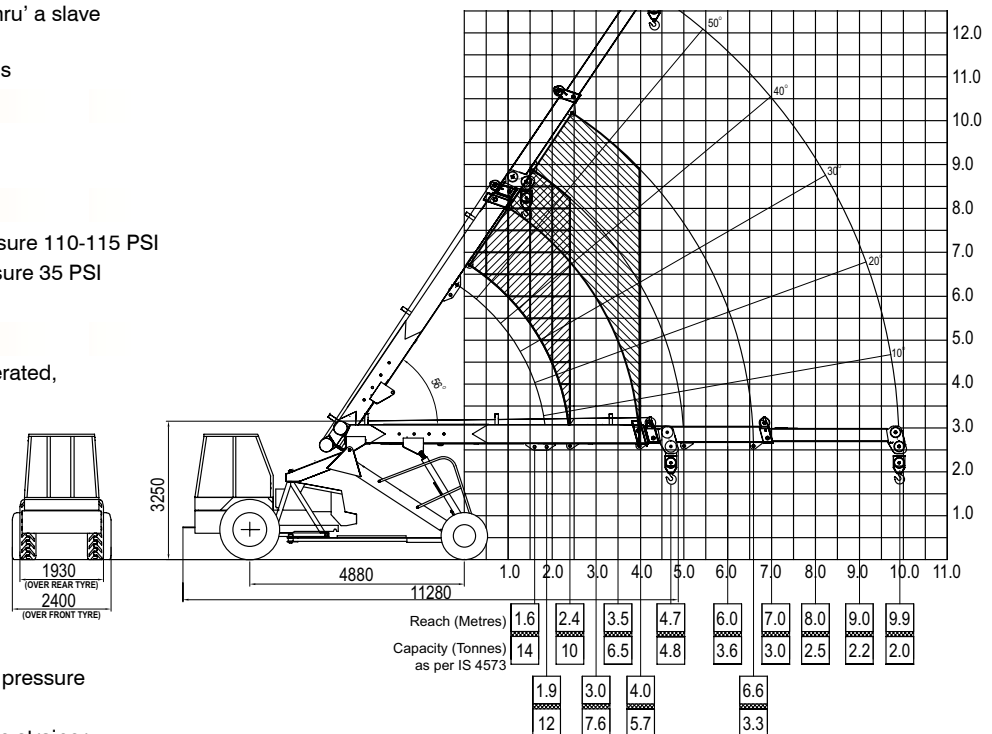
- Overload audio warning system.
- Safety brakes on hoist,
- Hose protection failure device
- Cylinder guard for protection

STANDARD ACCESSORIES

- All weather cabin
- Front Bumper
- Reflectors
- Lift Cylinder Guard
- Rear View Mirror
- Turn & Reverse lamp

OPTIONAL ACCESSORIES

- Fly Jib 2.3 m length
- Fire Extinguisher
- Spark Arrestor
- Air Conditioned cabin
- Steering Wheel
- Extra hooks
- Man Carrying Basket
- Forks
- Safe load indicator with hydraulic cut-off



A wide national network of Business Centres and Dealers

- **Ahmedabad** : (079) 40063445, 9879006280 • **Bangalore** : (080) 23398809, 9448046310 • **Bhopal** : (0755) 2551955 9826824111
- **Bhubaneswar** : (0674) 2588775, 9937028870 • **Chandigarh** : (0172) 5017995, 9417603041 • **Chennai** : (044) 42153707-D, 9840852996
- **Dehradun** : (0135) 2672647, 9837755999 • **Guwahati** : (0361) 2733246, 9435342785 • **Hyderabad** : (040) 27842451, 9849992003
- **Jaipur** : (0141) 2760904, 9929077866 • **Kanpur** : 9839211591 • **Kolkata** : (033) 24862028-D, 9830108037 • **Lucknow** : (0522) 4003683, 2371901, 9839065688
- **Mumbai** : (022) 24218150, 9821458206 • **Nagpur** : (0712) 6450713, 982224489 • **New Delhi** : (011) 26444821, 9871598288
- **Pune** : (020) 40089771, 9823068664 • **Ranchi** : (0651) 2531340, 9431108578 • **Visakhapatnam** : (0891) 25632345, 9866637270

ESCORTS CONSTRUCTION EQUIPMENT LIMITED

Plot No: 2, Sector-13, Faridabad 121 007

Tel.: (0129) 2221481/2261323/2283073/2286694 Fax: (0129) 2283065/2261323

Website: www.ecel.com