

HYDRA 12

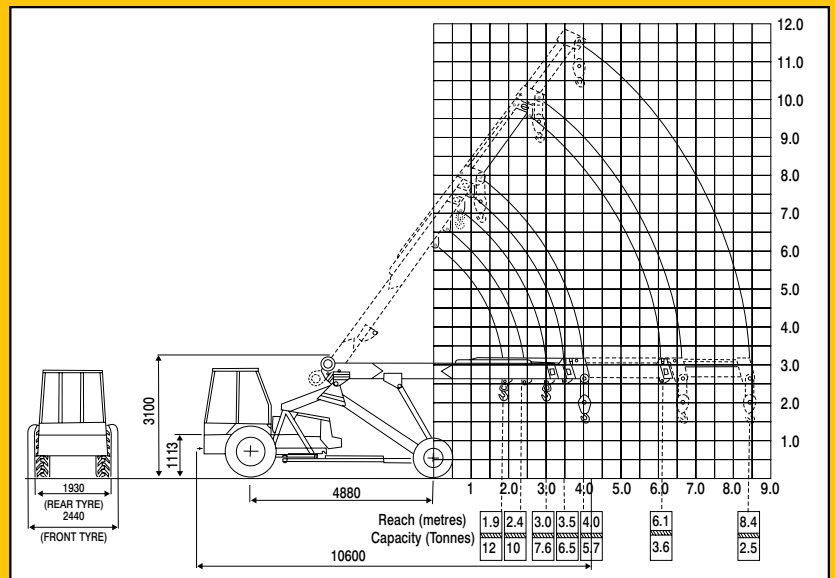
THE POWER OF REACH



Pick 'n' Carry Crane Hydra-12

SALIENT FEATURES :

- 3 Part hydraulically telescopic boom (with an option for 2 part boom) for more clear outreach and high lift.
- Specifically built chassis for more reliability
- Heavy duty transmission specifically designed for crane application.
- Winch Motor for hoisting upto 10 MT.
- Articulated chassis for short turning radius.



Specifications :

Engine		
Make & Model	Simpson S-433, Four Cylinder, Water Cooled Diesel Engine Rated power for crane 49 BHP @ 2200 RPM (Max continuous engine rating 59 HP @ 2300 RPM) or equivalent engine.	
Transmission		
Type	Heavy duty transmission developed specially for crane application. Sliding Mesh, spur teeth gearbox. Six forward and two reverse speeds with high and low selector lever.	
Speed	Travel Speed 25 Kmph - restricted as per safety norms (without load)	
Clutch	Single plate, heavy duty dry friction type clutch plate especially designed for crane application.	
Steering		
Type	Articulated power steering, hydraulically controlled through two double acting jacks	
Articulation	Upto 56°	
Turning radius	6.5 m	
Operational Timings (no load at rated engine RPM)		
	2 Part Boom	3 Part Boom
Steering (lock to lock)	6-10 secs	6-10 secs
Boom raising	23-28 secs	23-28 secs
Boom lowering	19-24 secs	19-24 secs
Telescopic extension in	9-11 secs	17-22 secs
Telescopic extension out	13-15 secs	23-28 secs
Hoist Line speed	53m/min. max. (Single line)	
Brakes		
Front Wheel	Pneumatically assisted hydraulic brakes	
Rear Wheel	Mechanical shoe brakes actuated through a slave cylinder	
Parking	Mechanically actuated at rear wheels	
Track		
Front	1930 mm (center of twin wheels)	
Rear	1570 mm (center of wheels)	

Tyres		
Front	11.00 x 20 - 16 PR (Four Nos.)	
Rear	13.00 x 24 - 12 PR (Two Nos)	
Boom		
Telescoping	Heavy duty, Three part box type hydraulically operated	
Derricking	Through double acting jacks	
Hoist Mechanism		
Hoist	Four falls, hydraulic winch (capacity: 10 T). Rope diameter 13 mm	
Hydraulic System		
Pump	Pin Vane Type Hydraulic pump	
Control Valve	4 spool control valve with built in pressure relief valve for trouble free operation	
Hydraulic Filter	Suction line has a 100 mesh inline strainer while return line has 25 micron full flow filter	
Electrical System		
Type	12V Single battery, Negative earth	
Capacities		
Fuel Tank	45 ltrs	
Hydraulic Tank	90 ltrs	
Axle Reduction	2.45 ltrs	
Operating Weight (Kgs)	10500	
Safety System		
• Overload audio warning system	• Overhoist audio warning system	
• Safety brakes on hoist	• Hose protection failure device	
• Cylinder guard for protection		
Standard Accessories		
• All weather cabin	• Front Bumper	• Reflectors
• Lift Cylinder Guard	• Rear View Mirror	• Turn & Reverse lamp
Optional Accessories		
• Fly jib : 4.1m length (2 pt)	• Fly jib : 2.3m length (3 pt)	• Fire Extinguisher
• Spark Arrestor	• Air conditioned cabin	• Steering Wheel
• Safe load indicator with hydraulic cut off	• Extra hooks	

A wide national network of Business Centres and Dealers

- **Ahmedabad** : (079) 40063445, 9879006280 • **Bangalore** : (080) 23398809, 9448046310 • **Bhopal** : (0755) 2551955 9826824111
- **Bhubaneswar** : (0674) 2588775, 9937028870 • **Chandigarh** : (0172) 5017995, 9417603041 • **Chennai** : (044) 42153707-D, 9840852996
- **Dehradun** : (0135) 2672647, 9837755999 • **Guwahati** : (0361) 2733246, 9435342785 • **Hyderabad** : (040) 27842451, 9849992003
- **Jaipur** : (0141) 2760904, 9929077866 • **Kanpur** : 9839211591 • **Kolkata** : (033) 24862028-D, 9830108037 • **Lucknow** : (0522) 4003683, 2371901, 9839065688
- **Mumbai** : (022) 24218150, 9821458206 • **Nagpur** : (0712) 6450713, 9822224489 • **New Delhi** : (011) 26444821, 9871598288
- **Pune** : (020) 40089771, 9823068664 • **Ranchi** : (0651) 2531340, 9431108578 • **Visakhapatnam** : (0891) 25632345, 9866637270

ESCORTS CONSTRUCTION EQUIPMENT LIMITED

Plot No: 2, Sector-13, Faridabad 121 007

Tel.: (0129) 2221481/2261323/2283073/2286694 Fax: (0129) 2264638/2261323

Website: www.ecel.com, marketing@escorts-ecel.com